

CLIENT APPROVAL

SEE ITEMS LIST	-	WEIGHT (KG)
MATERIAL DESCRIPTION OR SPECIFICATION	FINISH	

THIRD ANGLE PROJECTION

ALL UNSPECIFIED DIMENSIONS ARE IN MILLIMETRES

A-WARD

13-17, MIAMI PARADE, PENROSE, AUCKLAND, NEW ZEALAND
Phone +64 9 622 3111 Fax +64 9 634 5128 WEB:WWW.A-WARD.CO.NZ

Rev	ECN No	ECO Date	UNSTATED LIMITS	DRAWN BY	DATE
A			X. ±0.50 .X ±0.20 .XX ±0.02 ANGLE ±0.25'	SEANW	26-02-19
				CHECKED BY	DATE
				APPROVED	DATE

TITLE	MOBILE UFF CUSTOMISED,
DRAWING No	5000145
REV	A
SHEET	1 OF 3

We reserve all rights in this document and in the information contained therein. Reproduction, use or disclosure to third parties without express authority is strictly forbidden.
© A-Ward Attachments

SIZE
A3

SCALE: 1:75

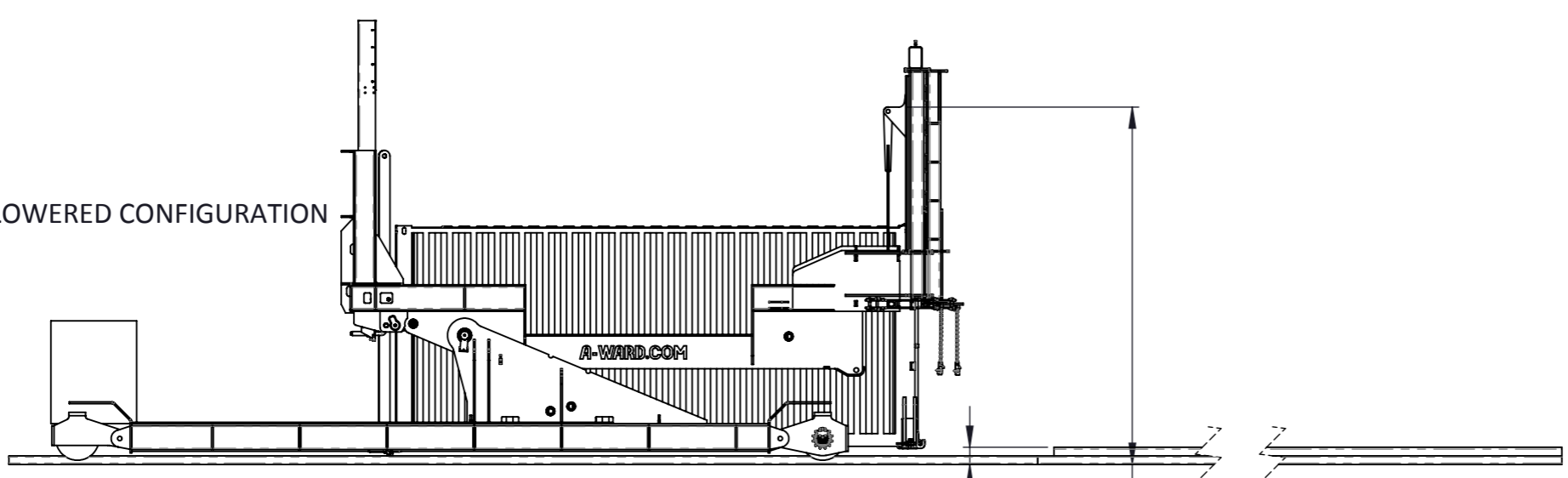
Directory: C:\vauf\PRODUCTION\TOP LEVEL ASSEMBLIES\5000145.SLDRAW 06/02/19

LOWERED CONFIGURATION

C

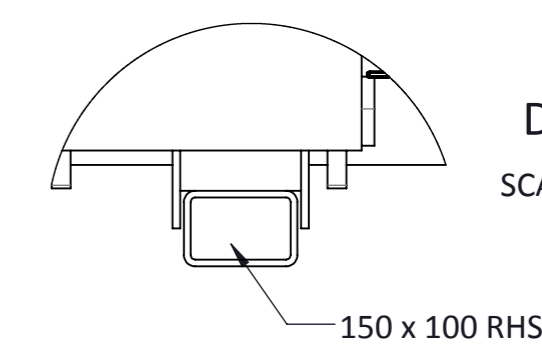
B

A



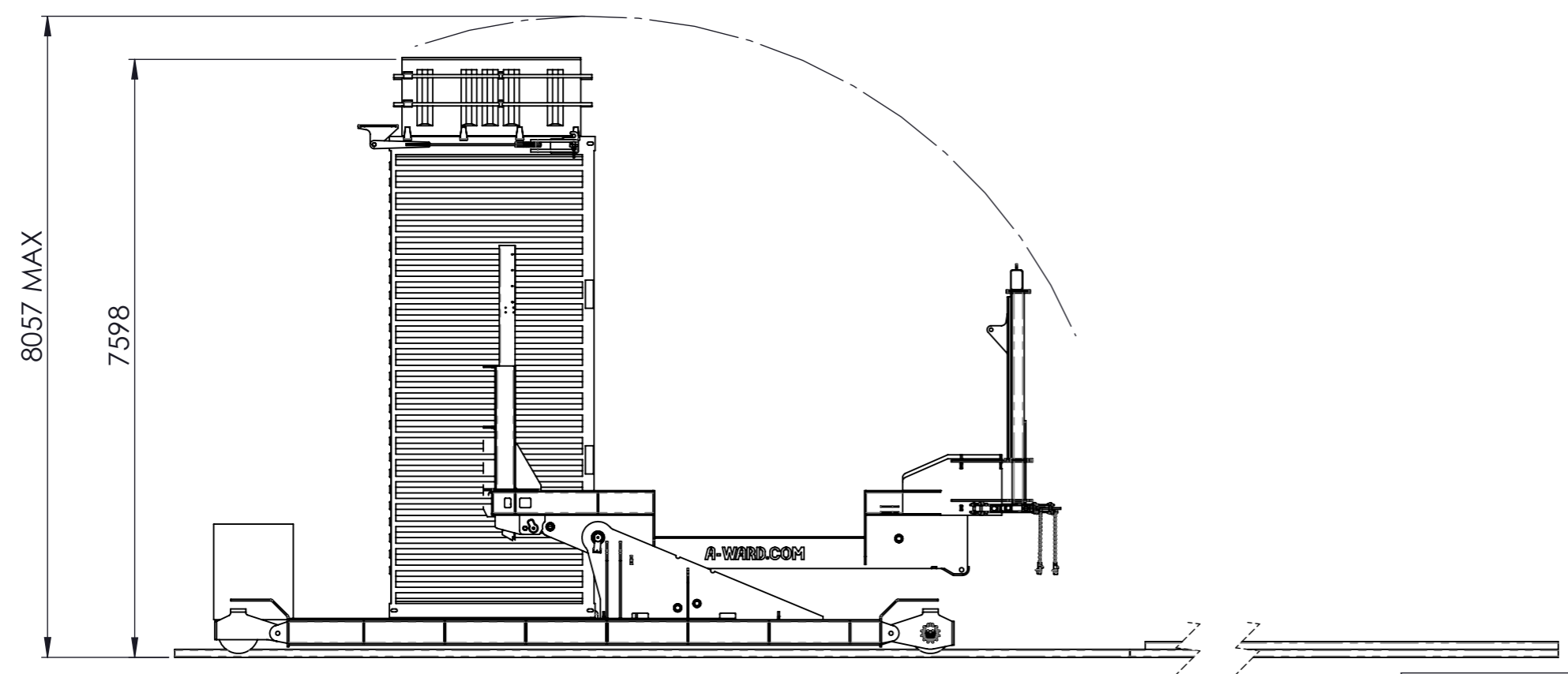
200
LOWERED
CONTAINER HEIGHT

2790
MINIMUM HEIGHT CLEARANCE
REQUIRED FOR CONTAINER



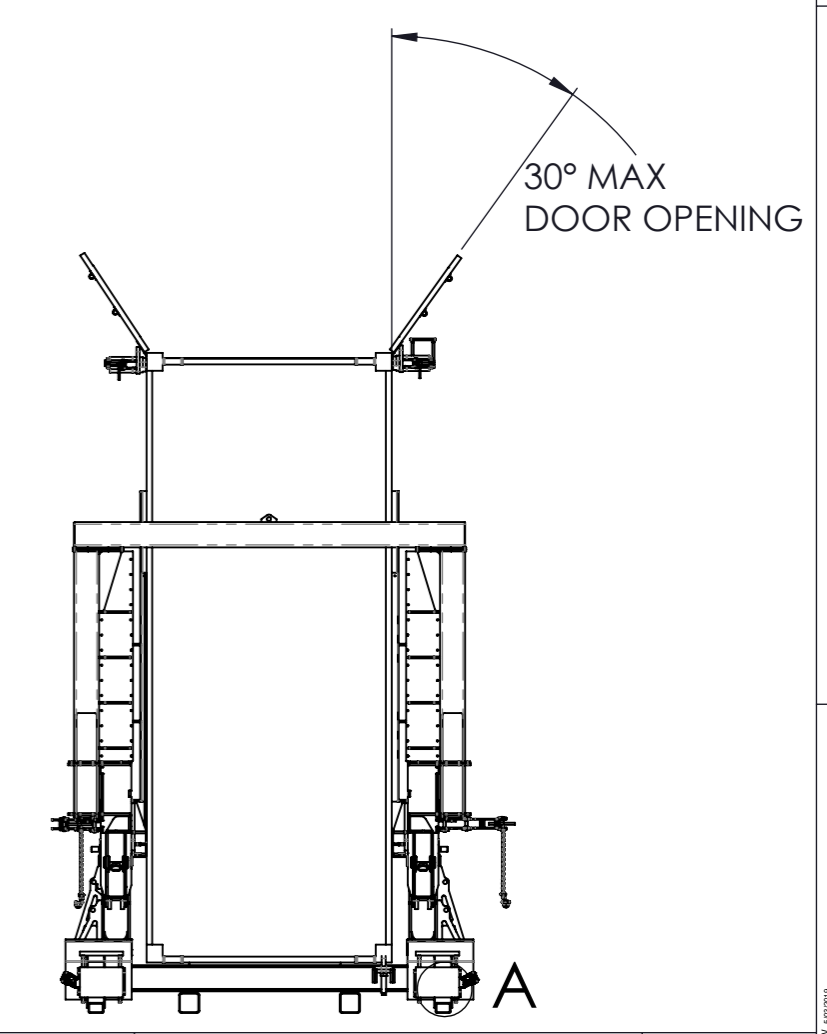
DETAIL A
SCALE 1 : 10

150 x 100 RHS



8057 MAX

7598



30° MAX
DOOR OPENING

CLIENT APPROVAL

SEE ITEMS LIST	FINISH	WEIGHT (KG)
MATERIAL DESCRIPTION OR SPECIFICATION		

THIRD ANGLE PROJECTION
 ALL UNSPECIFIED DIMENSIONS ARE IN MILLIMETRES
A-WARD
 13-17, MIAMI PARADE, PENROSE, AUCKLAND, NEW ZEALAND
 Phone +64 9 622 3111 Fax +64 9 634 5128 WEB:WWW.A-WARD.CO.NZ

Rev	ECN No	ECO Date	UNSTATED LIMITS	DRAWN BY	DATE
A			X. ±0.50 .X ±0.20 .XX ±0.02 ANGLE ±0.25'	SEANW	26-02-19
				CHECKED BY	DATE
				APPROVED	DATE

TITLE	DRAWING No	REV	SHEET
MOBILE UFF CUSTOMISED,	5000145	A	2 OF 3

We reserve all rights in this document and in the information contained therein. Reproduction, use or disclosure to third parties without express authority is strictly forbidden.
 © A-Ward Attachments

SIZE
A3

SCALE: 1:75

5

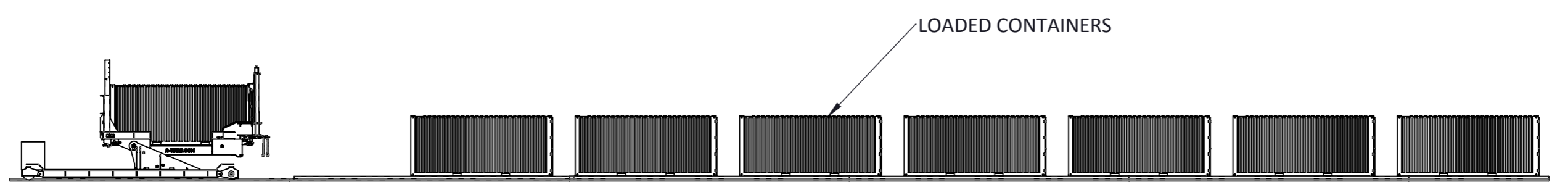
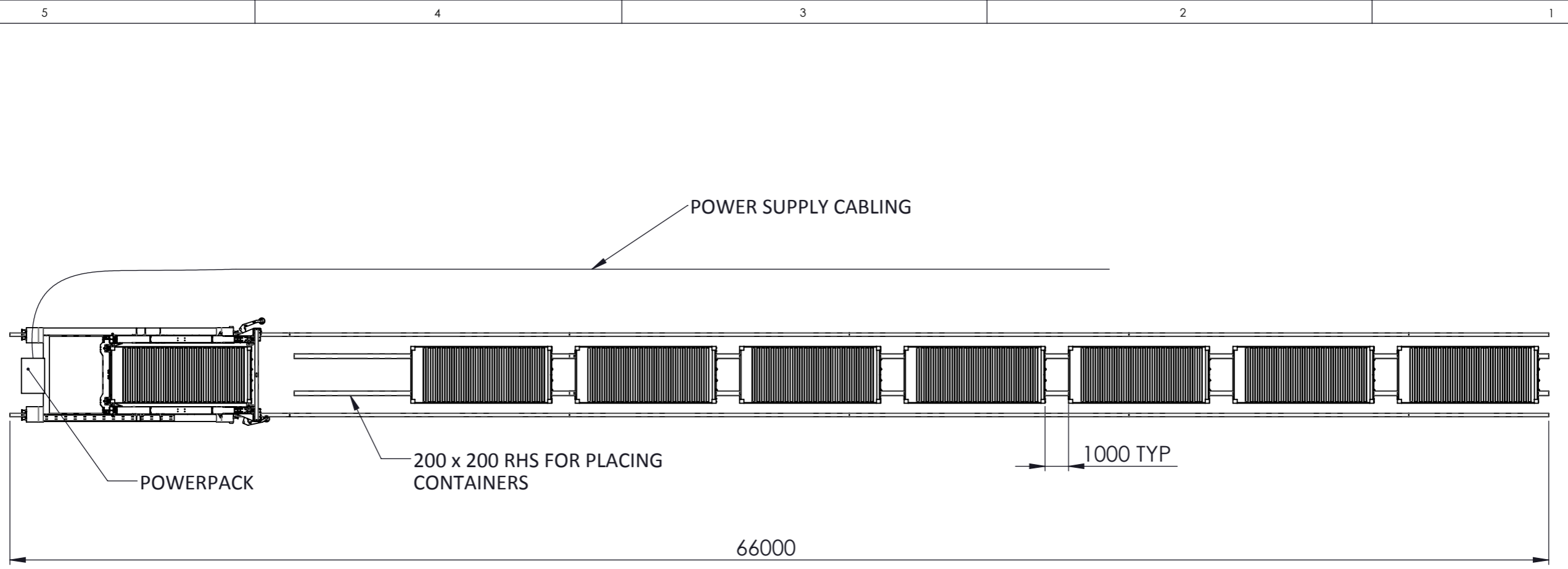
4

3

2

1

Directory: C:\vauf\PRODUCTION\TOP LEVEL ASSEMBLIES\5000145.SLDRAW 05/02/19



CLIENT APPROVAL

		SEE ITEMS LIST		-			
		MATERIAL DESCRIPTION OR SPECIFICATION		FINISH		WEIGHT (KG)	
		THIRD ANGLE PROJECTION		A-WARD			
		ALL UNSPECIFIED DIMENSIONS ARE IN MILLIMETRES		13-17, MIAMI PARADE, PENROSE, AUCKLAND, NEW ZEALAND <small>Phone +64 9 622 3111 Fax +64 9 634 5128 WEB:WWW.A-WARD.CO.NZ</small>			
Rev	ECN No	ECO Date	UNSTATED LIMITS	DRAWN BY	DATE	MOBILE UFF CUSTOMISED, DRAWING No 5000145	
A			X. ±0.50 .X ±0.20 .XX ±0.02 ANGLE ±0.25'	SEANW	26-02-19		
				CHECKED BY	DATE		
			SCALE: 1:200	APPROVED	DATE	DRAWING No	REV A SHEET 3 OF 3

We reserve all rights in this document and in the information contained therein. Reproduction, use or disclosure to third parties without express authority is strictly forbidden.
 © A-Ward Attachments

Directory: C:\va\prod\production\TOP LEVEL ASSEMBLIES\5000145.SLDRAW 05/02/19